

BXJ8030

系列防爆防腐接线箱(e)

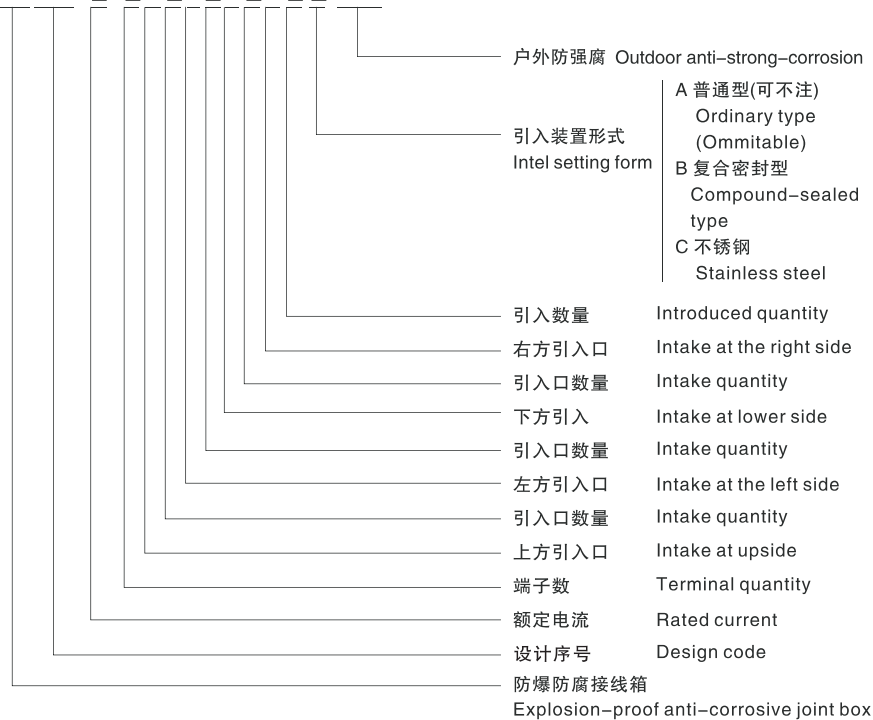


适用范围 Application

- 适用于1区、2区危险场所。
- 适用于IIA、IIB、IIC类，温度组别为T1~T6的爆炸性气体环境。
- Can be used in hazardous areas: Zone 1 and Zone 2.
- Can be used in explosive gas atmospheres of Category IIA、IIB and IIC where the temperature classification is T1 ~ T6.

型号含义 Model implication

BXJ 8030-□ / □ □ D □ L □ X □ R □ □ WF2



技术参数 Technical parameters

- 执行标准: GB 3836.1、GB 3836.3、IEC60079
- 防爆标志: Exe II T6 Gb
- 额定电压: AC 380V/220W
- 额定电流: ≤20A 防护等级: IP65 防腐等级: WF2

BXJ8030

Type explosion-proof corrosion-proof junction box (e)

- Implementing the standard : GB 3836.1、GB 3836.3、IEC60079
- Explosion-proof mark: Exe II T6 Gb
- Rated voltage: AC 380V/220V
- Rated current: $\leq 20A$
- Protection grade: IP65
- Explosion-proof class: WF2

产品特点 Features

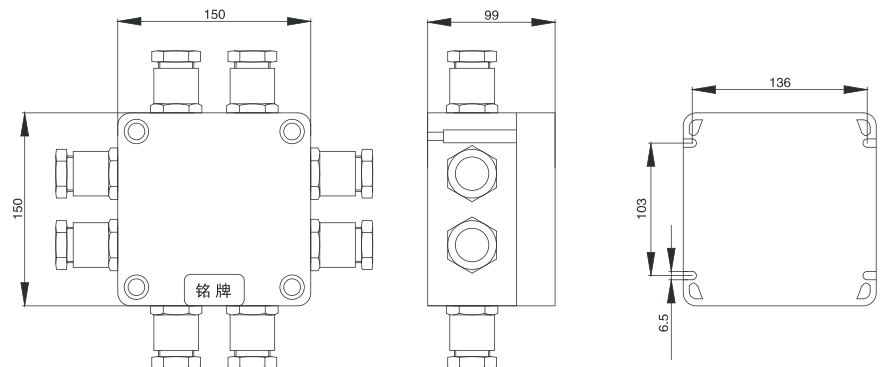
- 外壳采用高强度难燃工程塑料压制而成，外型美观且具有抗静电耐冲击及热稳定性好，耐腐蚀等优良性能；
- 盖与壳身之间设有密封圈，并用不锈钢螺钉紧固；
- 接线端子可采用压线式或菲尼克斯的增安型专用接线端子；
- 端子数、出线口方向、数量及出线口规格可按用户要求任意变化。

■ The housings are made of glass fiber reinforced unsaturated polyester resin, with features of elegant appearance, corrosion proof, antistatic, shock resistance and favorable thermal stability.

- Between cover and shell body is arranged seal washer fastened by stainless screw.
- Terminal can be selected for line pressed type of pheonis's special terminal of safety-increased type.
- Terminal number, direction, nominal diameter may be changable.

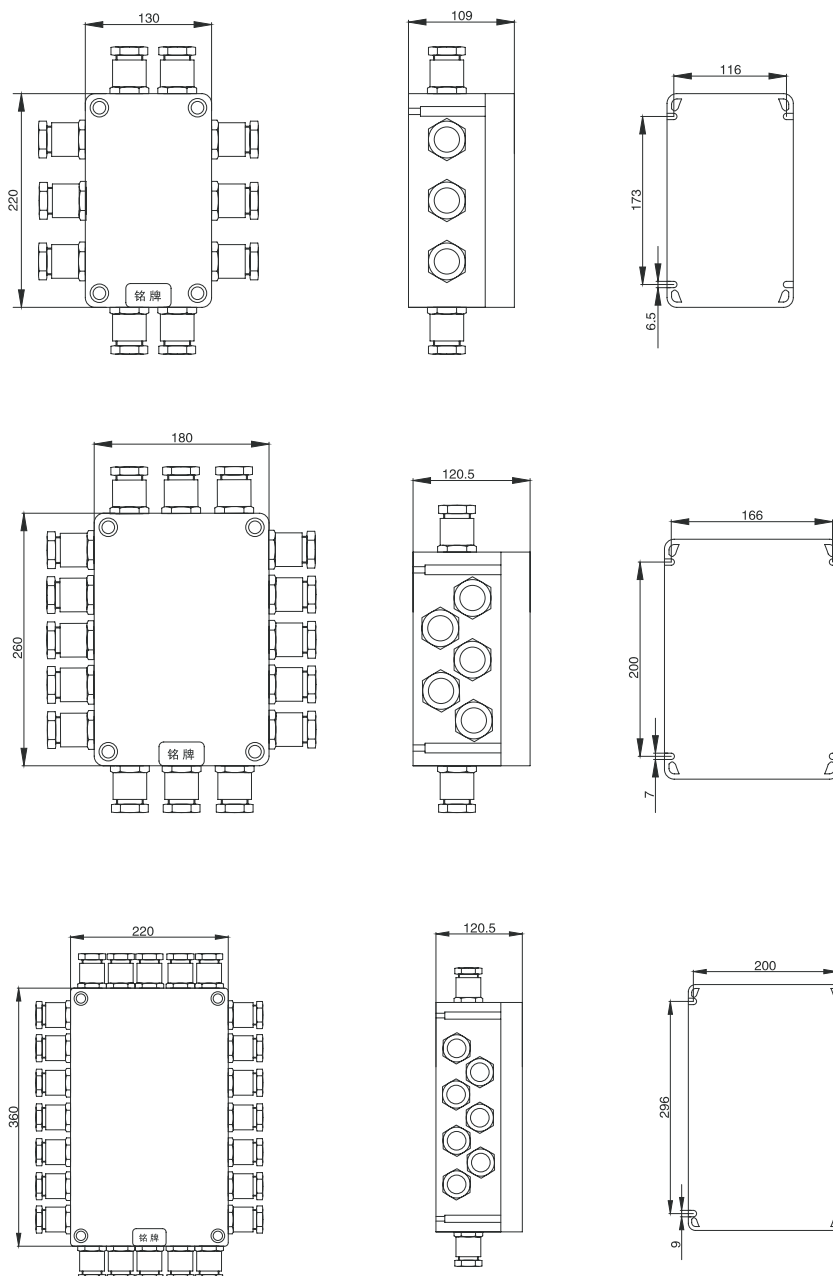
外形及安装举例 Outline and mounting example

通头为普通式的常见接线箱形式 The junction box with ordinary outlet



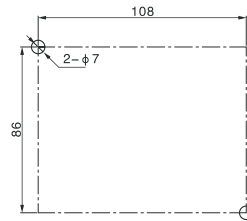
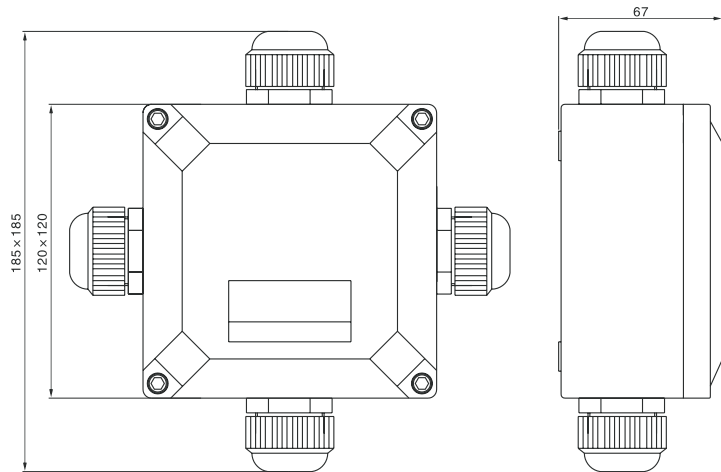
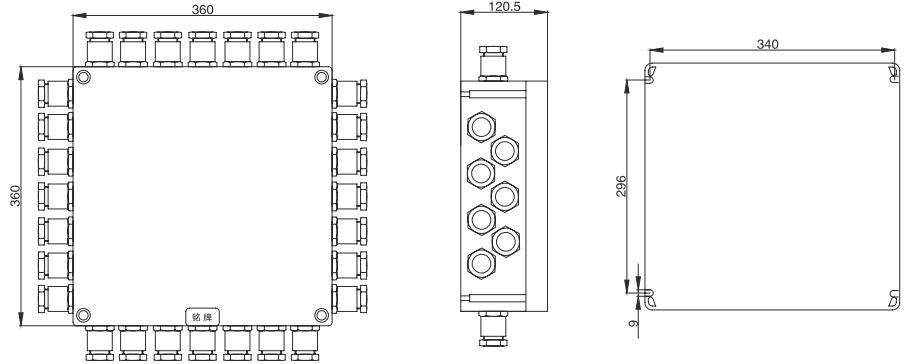
BXJ8030

系列防爆防腐接线箱(e)



BXJ8030

Type explosion-proof corrosion-proof junction box (e)

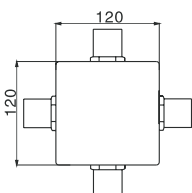
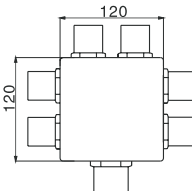
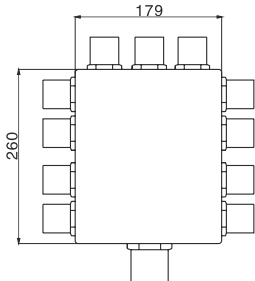
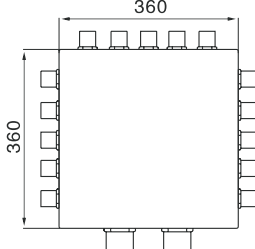


通头为复合密封式的接线箱
The junction box with compound-sealed outlet.

BXJ8030

系列防爆防腐接线箱(e)

产品方案布置 Arranging of product's project

方案布置图 Project's diagram	通头规格 Outlet specification	最大端子数 Maximum number of terminal
	4个G3/4"	$6 \times 2.5\text{mm}^2$
	6个G3/4" 1个G1"	$6 \times 2.5\text{mm}^2$
	11个G3/4" 1个G1 1/2" 可根据要求另配, 敬请提供简图 Installing others according to different requests, please provide diagram.	$26 \times 2.5\text{mm}^2$
	15个G3/4" 2个G1 1/2" 可根据要求另配, 敬请提供简图 Installing others according to different requests, please provide diagram.	$80 \times 2.5\text{mm}^2$