

BAYD-DIP

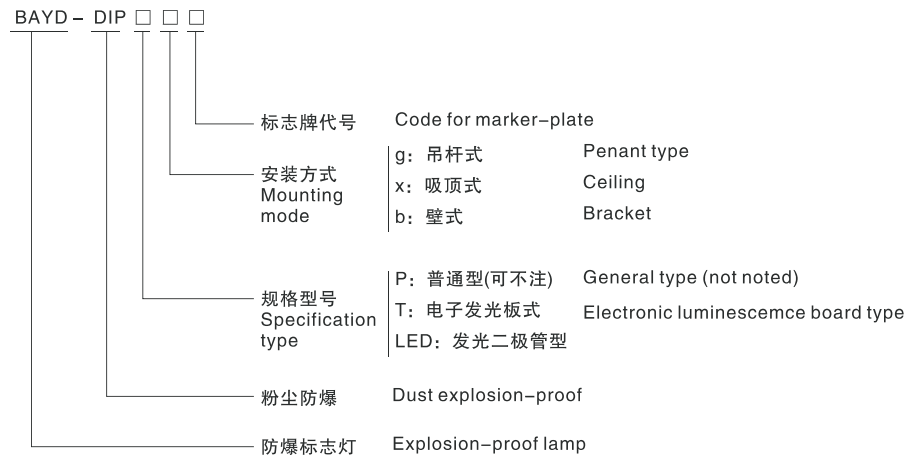
系列粉尘防爆标志灯(DIP)



适用范围 Application

- 适用于20区、21区、22区危险场所。
- 适用于可燃性粉尘环境。
- Can be used in hazardous areas: Zone 20 and Zone 21 and Zone 22.
- Can be used in explosive or flammable dust atmosphere.

型号含义 Model implication



主要技术参数 Main technical parameters

- | | |
|----------------------|--|
| ■ 执行标准: GB 12476.1 | ■ Implementing the standard : GB 12476.1 |
| ■ 防爆标志: DIPA20TA, T6 | ■ Explosion-proof mark: DIPA20TA, T6 |
| ■ 额定电压: AC220V/50Hz | ■ Rated voltage: AC220V/50Hz |
| ■ 防护等级: IP65 | ■ Protection grade: IP65 |
| ■ 防腐等级: WF1 | ■ Corrosion-proof grade: Wf1 |
| ■ 引入口规格: G3/4" | ■ Inlet spec: G3/4" |
| ■ 电缆规格: Φ9mm ~ Φ14mm | ■ Cable spec: Φ9mm ~ Φ14mm |

型号 Type	应急功率 (W) Emergency power	应急时间 Emergency time
普通型(P) General type	20	90 min
电子发光板式(T)Electronic luminescence board type	≤3	120 min
发光二极管式(LED)	≤1	48 h

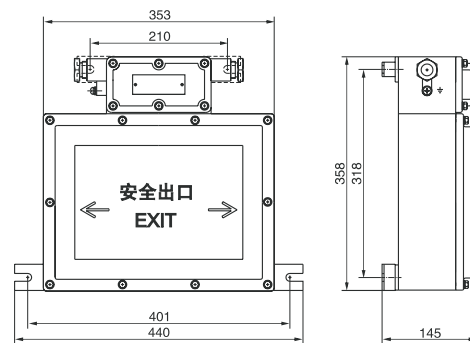
BAYD-DIP

Type dust explosion-proof marking lamp (DIP)

产品特点 Features

- 壳体采用ZL102铝合金铸造成型，表面粉末静电喷塑处理；
- 电子发光板型采用特有的场效应管发光效应，图案清晰明亮，发光均匀性强，耗电低。应急时间在2小时以上；
- 发光二极管式：
 - ① 采用高光度的发光二极管作为光源，利用其漫反射特性使发光板发光，具有亮度高、寿命长等特点；
 - ② 采用锂电池作为应急电源，配合高效的锂电池专用充电电路以及独立开发的切换电路，具有能耗少，应急时间长等特点；
 - ③ 采用锂离子电池专用的充电控制芯片为控制核心，能有效对电池进行短路保护，过压保护，欠压保护。
- 钢管或电缆布线。
- The housing is die cast in aluminum alloy, with high voltage static plastic-sprayed surface.
- Electronic light emitting screen adopts special electroluminescence, with clear and bright pattern, high homogeneity luminescence, low power expenditure. Emergency duration: Over 2h;
- LED type
 - ① Adopt LED of high-luminance as illuminating source, and its diffuse reflection feature enables the light emitting screen to shine, it possesses characteristics of high-luminance and long service life;
 - ② Adopt lithium cell as emergency power source, equipped with special charging circuit of lithium cell and separated developed switching circuit, with characteristics of low energy consumption and long emergency duration.
 - ③ Adopt special charging control chip of lithium cell as control core, which make short circuit protection, over-voltage protection and under-voltage to the batteries effectively.
- Conduit wiring or cable wiring.

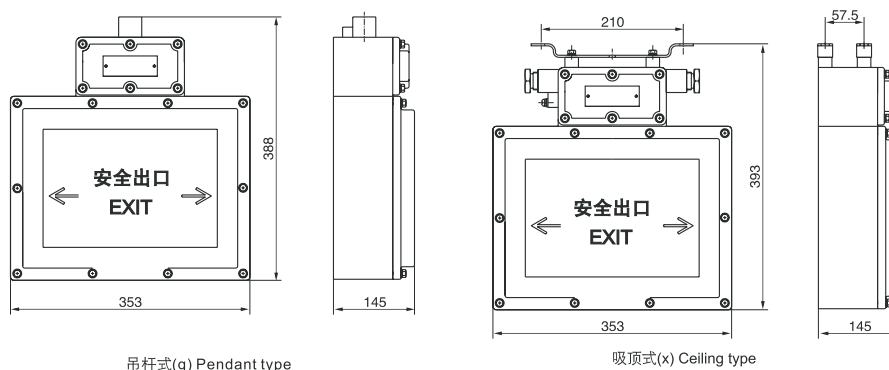
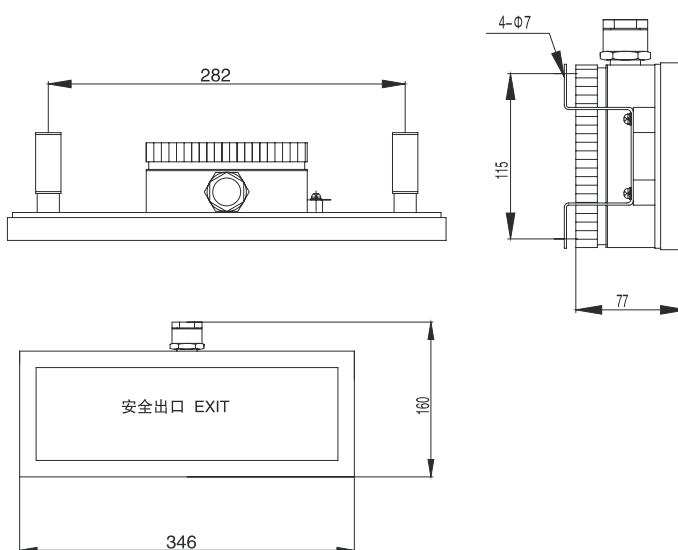
外形及安装举例 Outline and mounting example



壁式(b)Bracket type

BAYD-DIP

系列粉尘防爆标志灯(DIP)

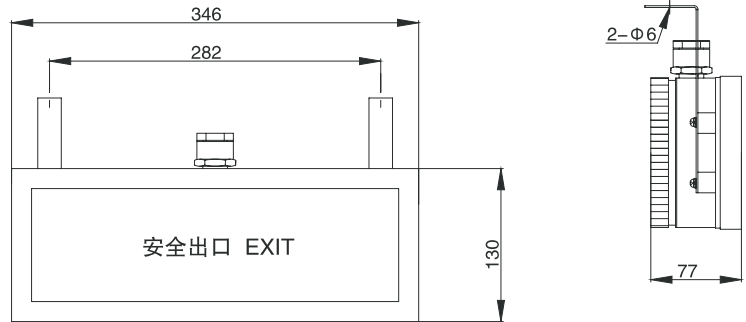


吊杆式(g) Pendant type

吸顶式(x) Ceiling type

BAYD-DIP

Type dust explosion-proof marking lamp (DIP)



标志牌代号 Marks code



A 型 type



B 型 type



C 型 type



D 型 type



E 型 type



F 型 type

BAYD-DIP

系列粉尘防爆标志灯(DIP)



G 型 type



H 型 type



I 型 type



J 型 type



K 型 type



L 型 type



M 型 type



N 型 N type



O 型 type