

## BAY-DIP

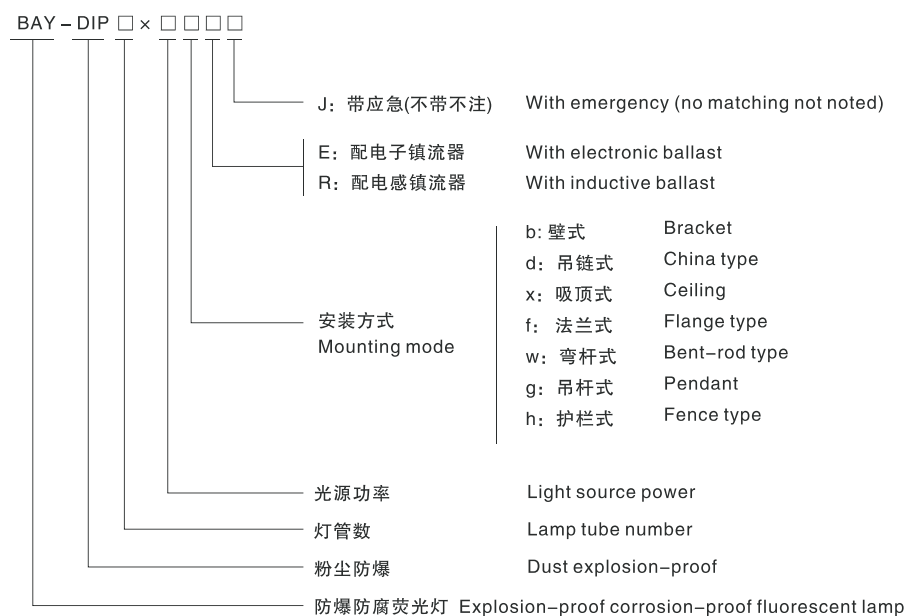
系列粉尘防爆防腐荧光灯(DIP)



### 适用范围 Application

- 适用于20区、21区、22区危险场所。
- 适用于爆炸性或可燃性粉尘环境。
- Can be used in hazardous areas: Zone 20、Zone 21 and Zone 22.
- Can be used in explosive or flammable dust atmosphere.

### 型号含义 Model implication



### 主要技术参数 Main technical parameters

- |                      |  |
|----------------------|--|
| ■ 执行标准: GB 12476.1   | ■ Implementing the standard : GB 12476.1 |
| ■ 防爆标志: DIPA20TA, T6 | ■ Explosion-proof mark: DIPA20TA, T6     |
| ■ 额定电压: AC220V/50Hz  | ■ Rated voltage: AC220V/50Hz             |
| ■ 防护等级: IP65         | ■ Protection grade: IP65                 |
| ■ 防腐等级: WF2          | ■ Corrosion-proof grade: Wf2             |
| ■ 引入口规格: G3/4"       | ■ Inlet spec: G3/4"                      |
| ■ 电缆规格: Φ9mm ~ Φ14mm | ■ Cable spec: Φ9mm ~ Φ14mm               |

[www.peopleex.cn](http://www.peopleex.cn)

## BAY-DIP

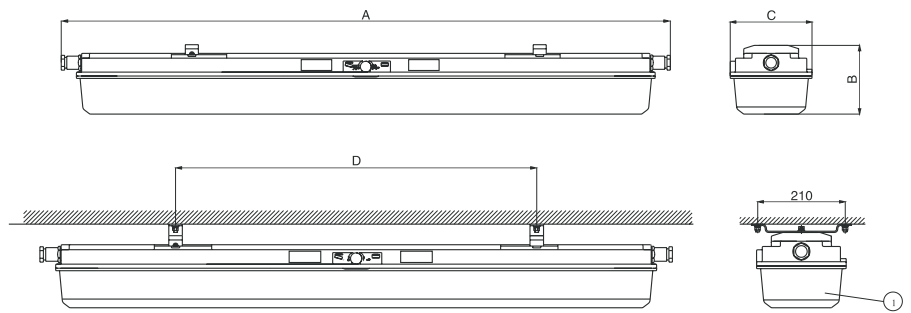
Type dust explosion-proof, corrosion-proof fluorescent lamp (DIP)

- 配装光源及功率：荧光灯管：1×20W、2×20W、1×40W、2×40W
- 带应急功能参数：充电时间 24 h、应急起动时间 0.3 s、应急照明时间 90 min
- Applicable illuminant and power: Fluorescent lamp pipe: 1×20W、2×20W、1×40W、2×40W
- Parameter of the one with emergency function: Charging time 24 h Emergency starting time 0.3 s Emergency illuminating time 90 min

### 产品特点 Features

- 外壳采用SMC模压成形，强度高、耐冲击、耐腐蚀，灯罩采用聚碳酸酯注射成形，透光率高、承受冲击能力强；
- 灯具采用曲路式密封结构，具有较强的防水、防尘性能；
- 可根据用户要求配置应急装置，当正常电源断开时，灯具自动切换至应急照明状态；
- 电缆布线。
- The housing is formed by die casting of SMC, featured with high strength, impact resistance, anticorrosion; the lampshade The lampshade is formed through injection of polycarbonate, with characters of high transmittance and strong impact resistance;
- The lamp adopts curve sealed structure, with performances of strong waterproof and dustproof.
- The emergency device can be equipped at the request of users, when the emergency power supply breaks, the lamp will switch to the emergency illuminating state automatically;
- Conduit wiring .

### 外形及安装举例 Outline and mounting example

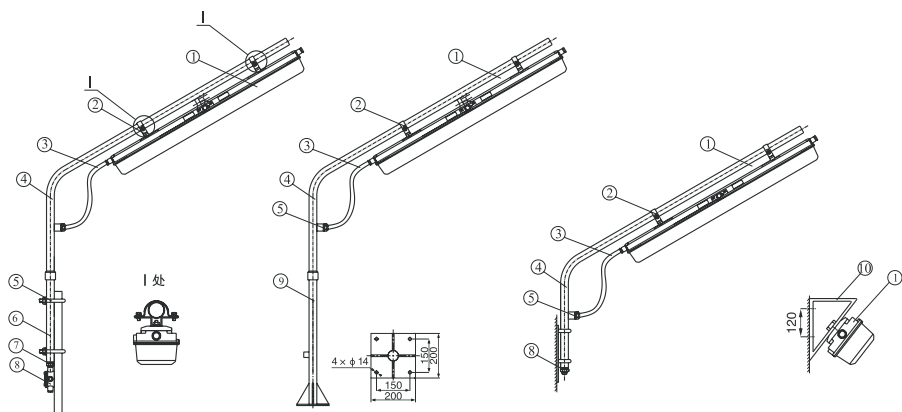


吸顶式(x) Ceiling type

型号Type	A	B	C	D
BAY-DIP2×20W	780	150	206	500
BAY-DIP2×40W	1400	160	206	800

# BAY-DIP

系列粉尘防爆防腐荧光灯(DIP)

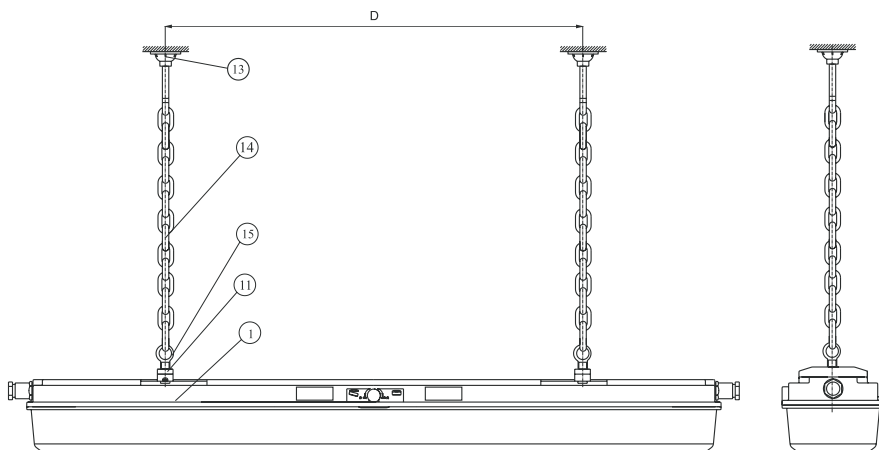


护栏式(h) Fence type

法兰式(f) Flange type

弯杆式(w) Bend-rod type

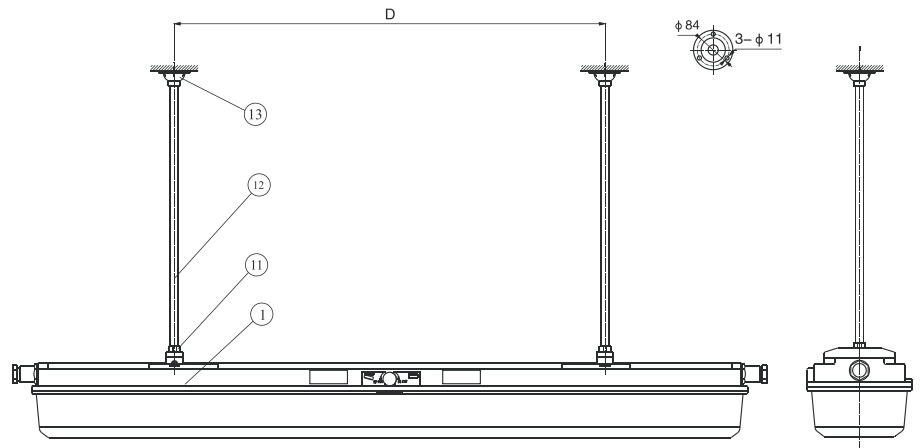
壁式(b) Bracket type



吊链式(d) Chain type

## BAY-DIP

Type dust explosion-proof, corrosion-proof fluorescent lamp (DIP)



吊杆式(g) Pendant type

序号No.	名称 Name	备注 Remark
1	粉尘防爆灯具 Lamp	
2	管夹 G1 " Pipe clamp	
3	粉尘防爆挠性连接管 Flexible pipe	用户自备 Self-prepare
4	弯杆 Bent-rod	
5	U型管夹 "U" Clamp	用户自备 Self-prepare
6	护栏式灯杆	
7	防爆活接头 Active connector	
8	粉尘防爆接线盒 Junction box	用户自备 Self-prepare
9	法兰式灯杆	
10	安装架 Mounting	用户自备 Self-prepare
11	连接螺	
12	钢管 Steel pipe	
13	吸盘 Drawing plate	
14	链条 Chain	
15	吊环螺钉 Screw of lifting bolt	