

BAD51-DIP

系列粉尘防爆灯(DIP)



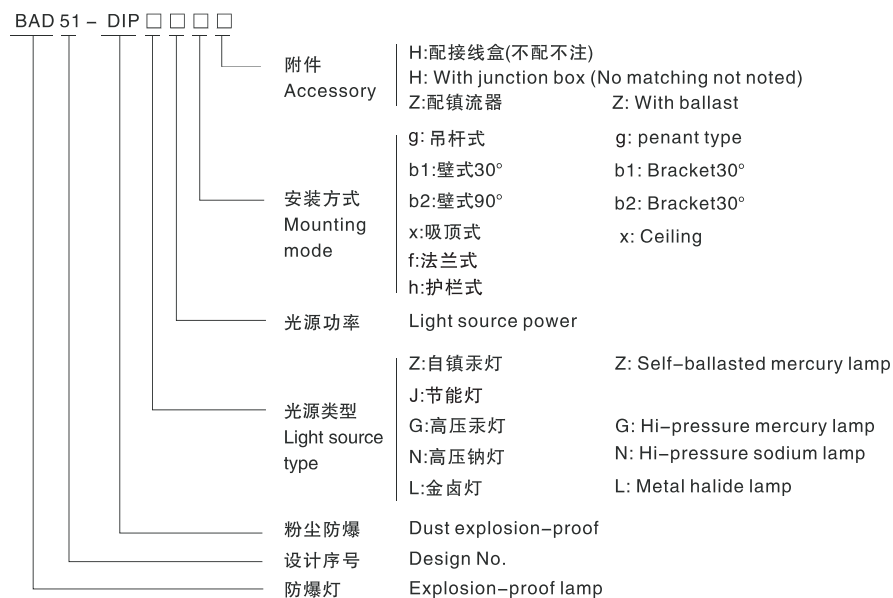
适用范围 Application

- 适用于20区、21区、22区可燃性粉尘场所。
- 温度组别：T1~T4(T6)
- Be applicable to such flammable fine dust places as Region 20, 21 and 22.
- Temperature class: T1 ~ T4 (T6)

产品特点 Features

- 壳体采用ZL102铝合金压铸成型，表面高压静电喷塑；
- 灯体采用合页式结构，活节螺栓紧固，能快速开启，便于安装与维护；
- 钢化玻璃灯罩，不锈钢外露紧固件；
- 钢管布线。
- The housing is die cast in aluminum alloy, with high voltage static plastic-sprayed surface.
- The lamp body adopts hinge type structure, with eye bolt for fastening, can be opened quickly, and easy to install or maintain;
- Toughened glass lampshades, exposed stainless steel fasteners;
- Conduit wiring .

型号含义 Model implication



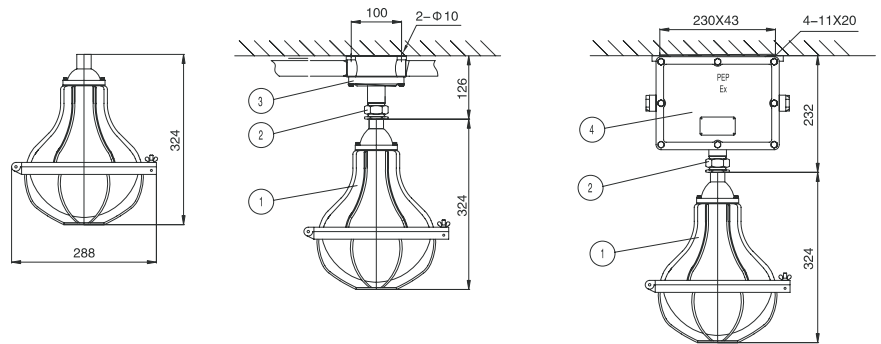
BAD51-DIP

Type dust explosion-proof lamp (DIP)

主要技术参数 Main technical parameters

- 执行标准: GB 12476.1
- 防爆标志: DIPA20TA, T4
- 额定电压: AC 220V/50Hz
- 防护等级: IP65
- 防腐等级: WF1
- 灯座规格: E27
- 引入口规格: G3/4"
- 电缆规格: $\Phi 9\text{mm} \sim \Phi 14\text{mm}$
- 配用光源及功率: (可配用光源长度 $\leq 180\text{mm}$)
 - 自镇汞灯: 125W 高压汞灯: 125W
 - 金卤灯: 100W 高压钠灯: 110W
- Implementing the standard: GB 12476.1-2000
- Explosion-proof mark: DIPA20TA, T4
- Rated voltage: AC 220V/50Hz
- Protection grade: IP65
- Explosion-proof class: WF1
- Lamp specification: E27
- Inlet spec: G3/4"
- Cable spec: $\Phi 9\text{mm} \sim \Phi 14\text{mm}$
- Supplied with light source and power: (Length of supplied with light source $\leq 180\text{mm}$) Self-ballasted mercury lamp: 125W; Hi-pressure mercury vapor lamp: 125W; Metal halide lamp: 100W Hi-pressure sodium vapor lamp: 110W.

外形及安装举例 Outline and mounting example

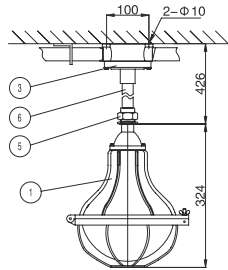


吸顶式(x) Ceiling type

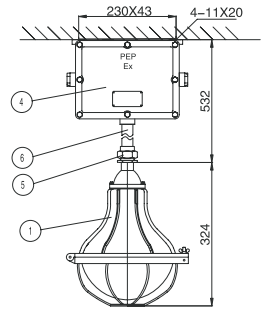
吸顶式(x) Ceiling type

BAD51-DIP

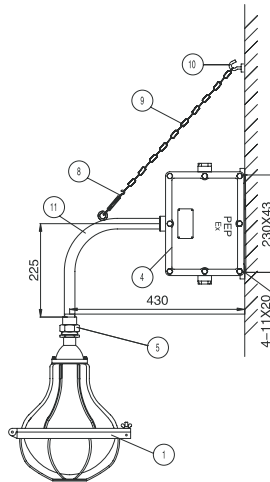
系列粉尘防爆灯(DIP)



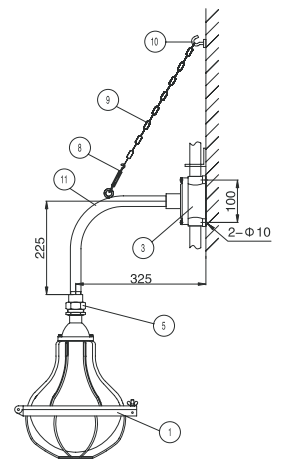
吊杆式(g) Pendant type



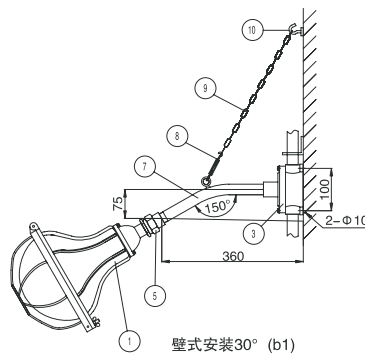
吊杆式(g) Pendant type



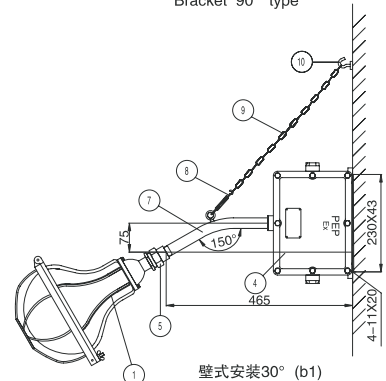
壁式安装90° (b2)
Bracket 90° type



壁式安装90° (b2)
Bracket 90° type



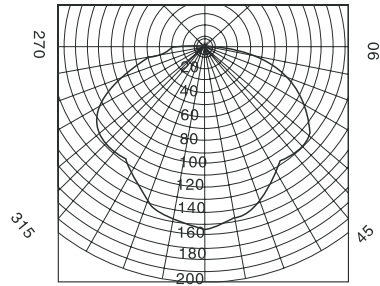
壁式安装30° (b1)
Bracket 30° type



壁式安装30° (b1)
Bracket 30° type

BAD51-DIP

Type dust explosion-proof lamp (DIP)



配光曲线cd/10001m

序号No.	名称Name	备注 Remark
1	粉尘防爆灯具 Fine dust explosion-proof light fixture	
2	防爆活接头BHJ-G3/4"-C BHJ-G3/4"-C	用户另配 Configured by user otherwise
3	粉尘防爆接线盒BHD-DIP-G3/4"-G Fine dust explosion-proof junction box BHD-DIP-G3/4"-G	用户另配 Configured by user otherwise
4	粉尘防爆镇流器 BAZ-DIP Fine dust explosion-proof ballast	用户另配 Configured by user otherwise
5	防爆活接头BHJ-G3/4"-B BHJ-G3/4"-B	用户另配 Configured by user otherwise
6	直管G3/4"×300mm Straight tube G3 / 4 " × 300mm	
7	30°弯管G3/4"×300mm 30° elbow G3 / 4 " × 300mm	
8	CC型索具螺旋扣M6 CC rigging turnbuckle M6	
9	链条450mm Chain 450mm	
10	膨胀螺栓M6 Expansion bolt M6	
11	90°弯管G3/4×500mm Normal bend G3 / 4 * 500mm	