

BZA53

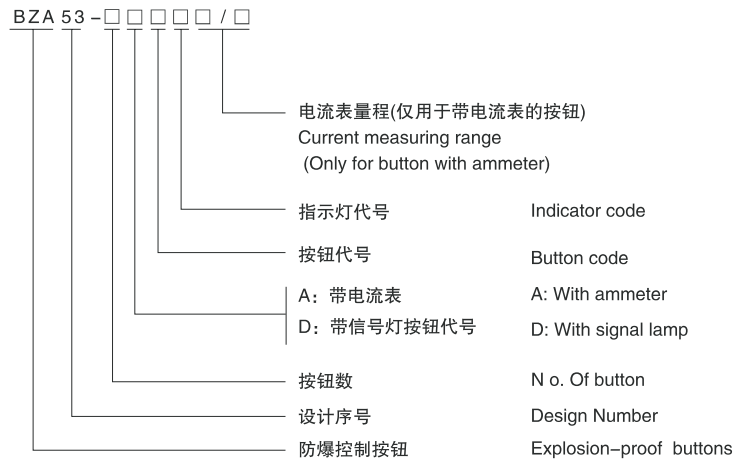
系列防爆控制按钮(II B)



适用范围 Application

- 适用于1区、2区危险场所。
- 适用于II A、II B类，温度组别为T1~ T6的爆炸性气体环境。
- Can be used in hazardous areas: Zone 1 and Zone 2
- Can be used in explosive gas atmospheres of Category IIA and B where the temperature classification is T1 ~ T6.

型号含义 Model implication



技术参数 Technical parameters

- | | |
|--|--|
| ■ 执行标准: GB 3836.1、GB 3836.2、
GB 3836.3、IEC60079 | ■ Implementing the standard : GB 3836.1、GB 3836.2、
GB 3836.3、IEC60079 |
| ■ 额定电压: AC 380/220V | ■ Rated voltage: AC380/220V |
| ■ 额定电流: 10A | ■ Rated current: 10A |
| ■ 防爆标志: Exed II CT6 Gb/DIP A20TA,T6 | ■ Explosion-proof mark: Exed II CT6 Gb/DIP A20TA,T6 |
| ■ 防护等级: IP65 | ■ Protection grade: IP65 |
| ■ 防腐等级: WF1 | ■ Corrosion-proof grade: WF1 |
| ■ 进线口螺纹: G3/4" | ■ Inlet thread: G3/4" |
| ■ 电缆外径: φ 9mm~ φ 14mm | ■ Cable's outer diameter: φ 9mm~ φ 14mm |

www. peopleex. cn

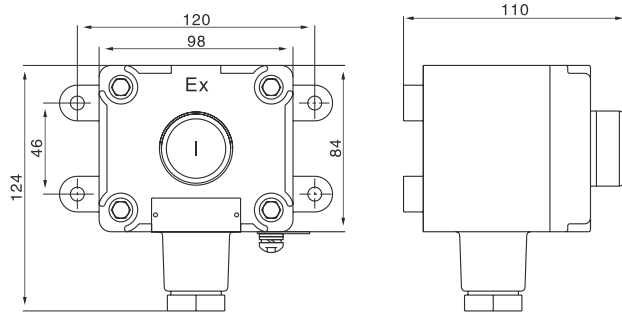
BZA53

Type explosion-proof control button (II B)

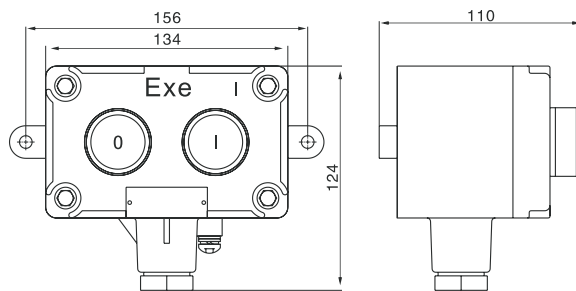
产品特点 Features

- 壳体采用ZL1020铝合金压铸成型，表面高压静电喷塑；
- 整体为复合型结构，外壳为增安型结构，内装按钮、指示灯、电流表为防爆元件；
- 采用曲路密封结构，具有较强的防水、防尘能力；
- 钢管或电缆布线。
- The housing is die cast in aluminum alloy, with high voltage static plastic-sprayed surface.
- Compound structure of safety-increased type, with functions of water-proofing, dust-proofing inside is arranged button, indicator, Ammeter of explosion-proof types.
- Adopt curve-sealed structure, with the strong performances of waterproof and dustproof.
- Conduit wiring or cable wiring.

外形及安装举例 Outline and mounting example



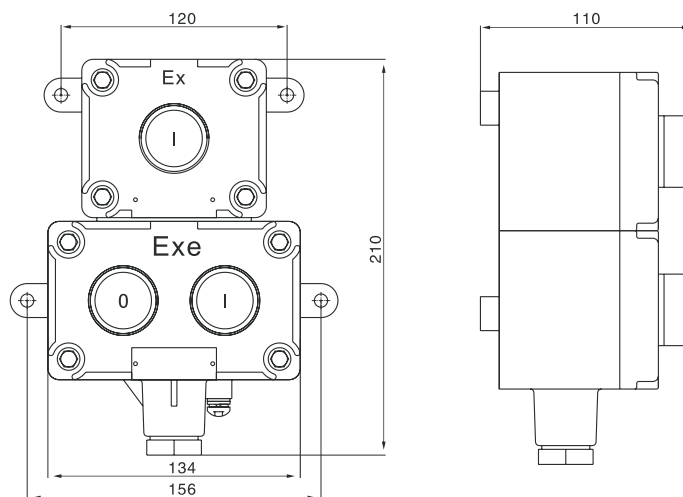
BZA53-1



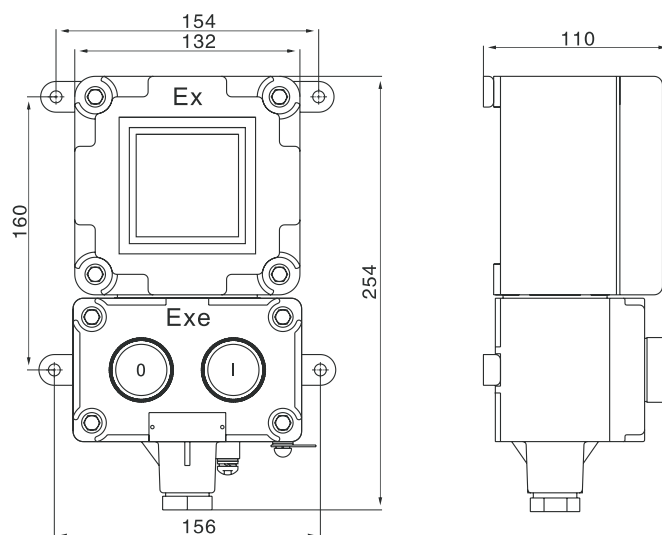
BZA53-2

BZA53

系列防爆控制按钮(II B)



BZA53-3



BZA53-2A