

BXX52

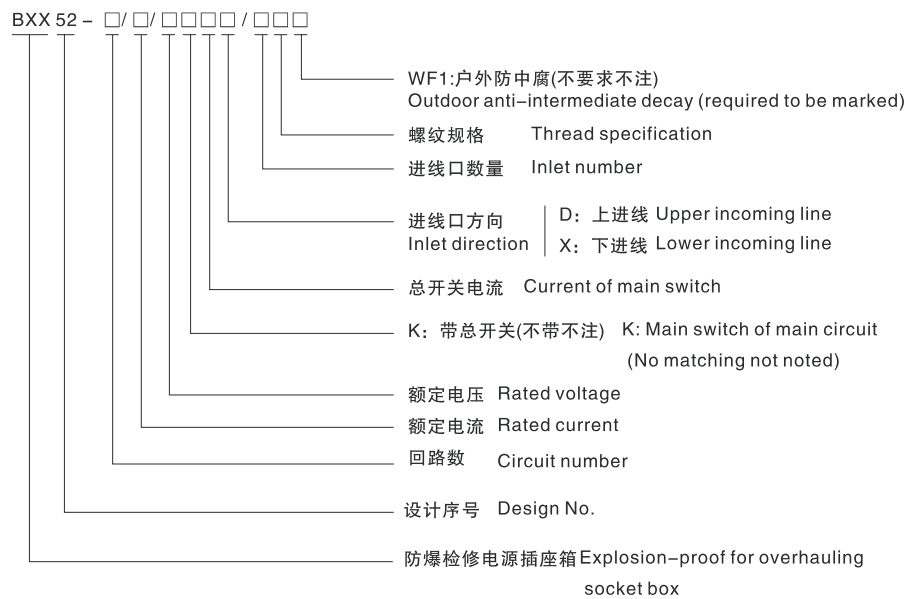
系列防爆检修电源插座箱(ⅡB)



适用范围 Application

- 适用于1区、2区危险场所。
- 适用于ⅡA、ⅡB类，温度组别为T1~T4的爆炸性气体环境。
- Can be used in hazardous areas: Zone 1 and Zone 2
- Can be used in explosive gas atmospheres of Category IIA and IIB where the temperature classification is T1 ~ T4.

型号含义 Model implication



技术参数 Technical parameters

- | | |
|---|---|
| <ul style="list-style-type: none"> ■ 执行标准: GB 3836.1、GB 3836.2、GB 3836.3、IEC60079 ■ 回路数: 2、3、4、6 ■ 额定电压: AC 380/220V ■ 额定电流: 16A 32A ■ 极数: 3P+N、1P+N+PE、3P+N+PE ■ 防爆标志: Exde Ⅱ BT4 Gb | <ul style="list-style-type: none"> ■ Implementing the standard : GB 3836.1、GB 3836.2、GB 3836.3、IEC60079 ■ Circuit number: 2、3、4、6 ■ Rated voltage: AC 380/220V ■ Rated current: 16A、32A ■ Poles: 3P+N、1P+N+PE、3P+N+PE ■ Explosion-proof mark: Exde Ⅱ BT4 Gb |
|---|---|

www.peopleex.cn

BXX52

Type explosion-proof socket box for overhauling power source socket (II)B

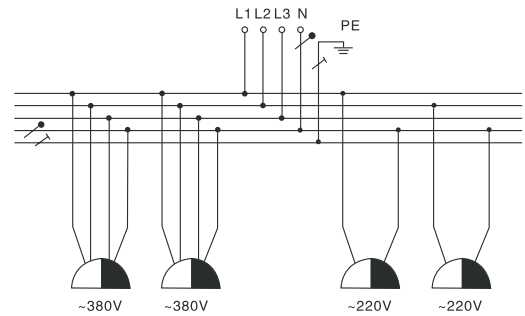
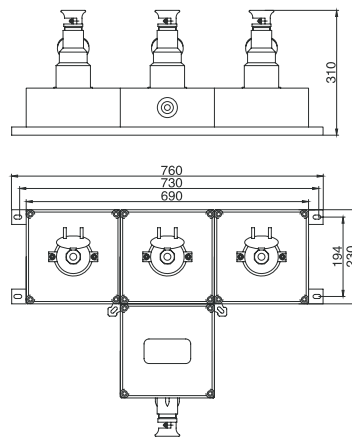
- 防护等级: IP55、IP65
- 防腐等级: WF1

- Protection grade: IP55、IP65
- Explosion-proof class: WF1

产品特点 Features

- | | |
|---|--|
| <ul style="list-style-type: none"> ■ 壳体采用ZL102铝合金压铸成型，表面高压静电喷塑； ■ 可带有总开关，具有过载、短路保护功能，可根据用户要求配备漏电保护功能； ■ 有多种规格的插座，便于检修用电源； ■ 电缆布线。 | <ul style="list-style-type: none"> ■ The housing is die cast in aluminum alloy, with high voltage static plastic-sprayed surface. ■ Equipped with chief switch, having protections of overload, short circuit. ■ Various kinds of sockets are available for power. ■ Cable wiring. |
|---|--|

外形及安装举例 Outline and mounting example



电气原理图 Electrical principle chart

订货须知 Not ice if ordering

- 订货时应注明插座的数量，对应的电压和电流，进线口的数量、方向及规格；
- 如需要配出线口，请注明方向数量及规格；
- 如带开关请注明开关的电流大小及极数。
- If ordering please indicate the number of sockets, voltage, current, the number of inlet, direction and specification;
- If need outlet wire, please offer the direction, number and specification;
- If want chief switch, please show the currents and poles.