

RDB98

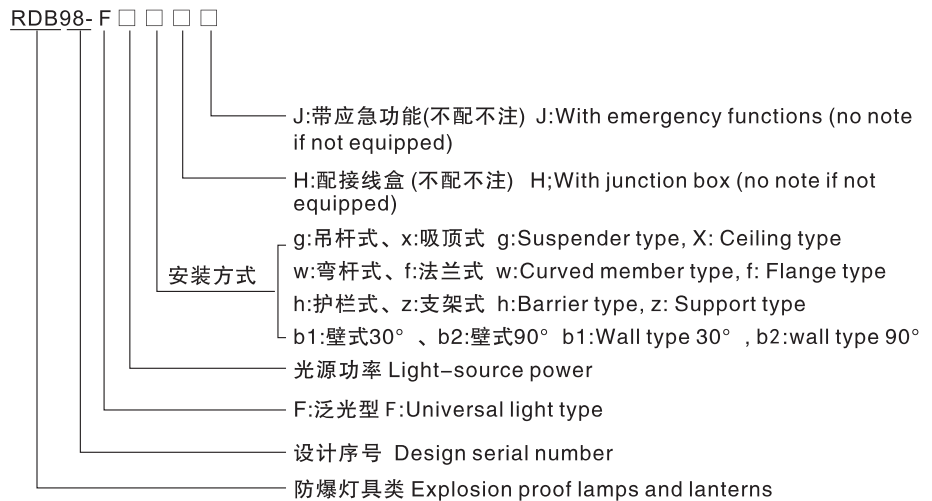
Explosion proof and maintenance free energy-saving lamps (IIC, DIP)



适用范围 Application

- ◆ 适用于爆炸性气体环境1区、2区；
 - ◆ 适用于可燃性粉尘环境21区、22区；
 - ◆ 适用于ⅡA、ⅡB、ⅡC级爆炸性气体环境；
 - ◆ 适用于温度组别为T1~T6/T4的环境；
 - ◆ 适用于石油采炼、储存、化工、医疗、军工及军事设施等爆炸性危险环境。
- ◆ Applicable to Area 1 and 2 of explosive gas atmospheres;
 - ◆ Applicable to Area 21 and 22 of combustible dust atmospheres;
 - ◆ Applicable to IIA, IIB, IIC of explosive gas atmospheres;
 - ◆ Applicable to T1~T6/T4 temperature group;
 - ◆ Applicable to petroleum mining, storage, chemical industry, military industry, military installation and other explosive dangerous environments.

型号含义 Model implication



- 注:** 1. 本系列灯具出厂时已配光源, 用户接入电源即可使用;
2. 订货时请根据光源功率、附件逐项选型。

Note: 1. The series lamps are equipped with light source of electrodeless lamp and power source when delivery.

2. Select model item by item according to light-source powers, installation ways and accessories when placing an order.

RDB98

防爆免维护节能灯(IIC、DIP)

产品特点 Product feature

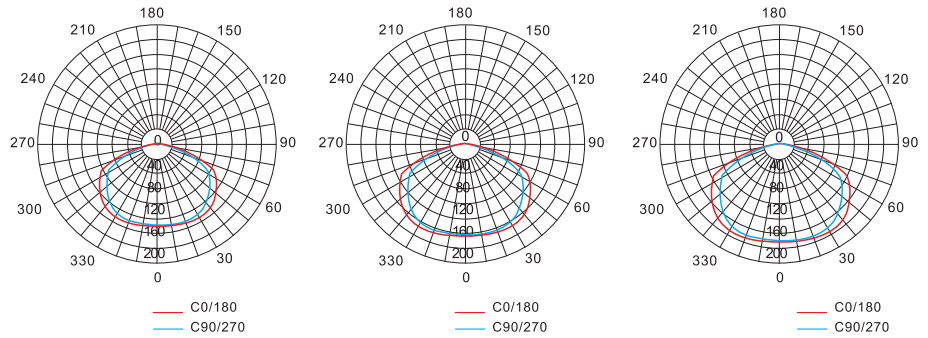
- 1.外壳采用铝合金压铸成型，表面经高压静电粉末喷塑处理；
- 2.采用光源腔与电源腔独立设计，翅片式结构外壳，增强散热效果；
- 3.高强度工程塑料玻璃灯罩；
- 4.灯具隔爆接合面设有“O”形密封圈，防水性能好；
- 5.外露紧固件采用不锈钢材质；
- 6.特制恒流电源，高效、低功率、恒功率输出，设有开路、短路及过热保护功能，确保灯具可靠工作，能充分发挥LED光源的高效、长寿命特性；
- 7.专业的镀铬反光镜，有效提高灯具的光通量；
- 8.采用全螺纹结构设计，能快速开启，便于安装与维护；
- 9.钢管布线。

- 1.Housing is made of aluminum alloy with die-cast formation and high voltage electrostatic powder spraying treatment is carried out on the surface;
- 2.Fully independent separate design is used for light source cavity and power source cavity and fin structure housing is used to reinforce heat emission efficiency;
- 3.High strength engineering plastics glass lamp shade
- 4.Explosive-proof adjoining face of lamps is equipped with O seal ring with good waterproofness;
- 5.Exposed fastener is made of stainless steel materials;
- 6.Especially manufacture constant current power supply, high efficient, low power, constant power output, and have protection functions of open circuit, short circuit and overheat to ensure reliable operation of lamps and give full play to high efficiency and long service life of LED light source;
- Professional chromed reflector can effectively improve luminous flux of lamp;
- 8.Full thread structure is used to quickly open and be easy for installation and maintenance;
- 9.Steel pipe wiring.

RDB98

Explosion proof and maintenance free energy-saving lamps (IIC, DIP)

配光曲线 Distribution curve flux



主要技术参数 Main technical parameters

执行标准 (Executive standard): GB 3836.1、GB 3836.2、GB 3836.3、GB 3836.9、IEC60079

防爆标志 (Ex-mark): ExdembIICT6Gb/ExtD A21 IP65 T80°C

额定电压 (Rated voltage): AC 220V

配备光源 (Equipped light source): LED

额定功率 (Rated power): 20W、30W、40W、50W、60W、70W、80W、100W

发光效率 (Light source power): $\geq 160\text{lm/W}$

功率因数 (Power factor): ≥ 0.98

防腐等级 (Corrosion-proof-class): WF1、WF2

引入口规格 (Entry spec): G3/4"

适用电缆外径 (Cable's outer diameter): $\Phi 9\text{mm} \sim \Phi 14\text{mm}$

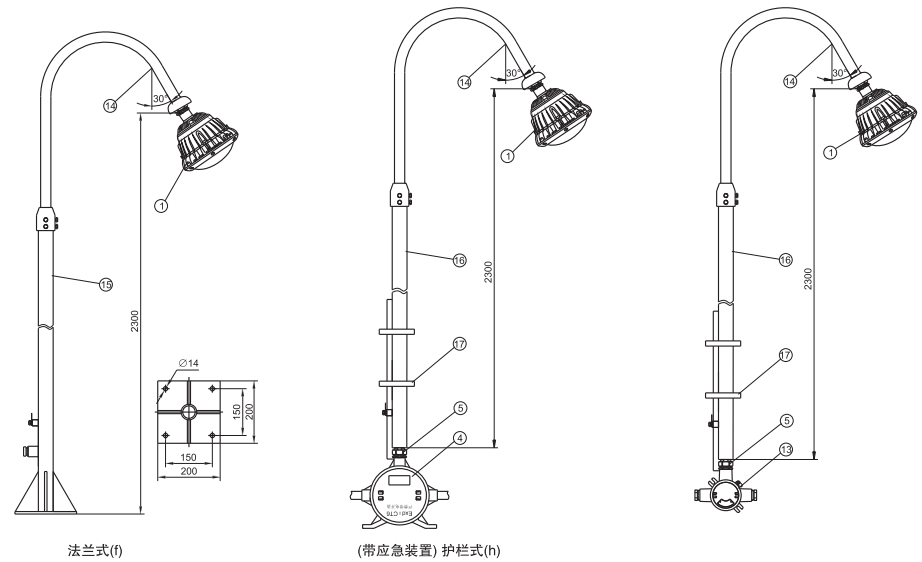
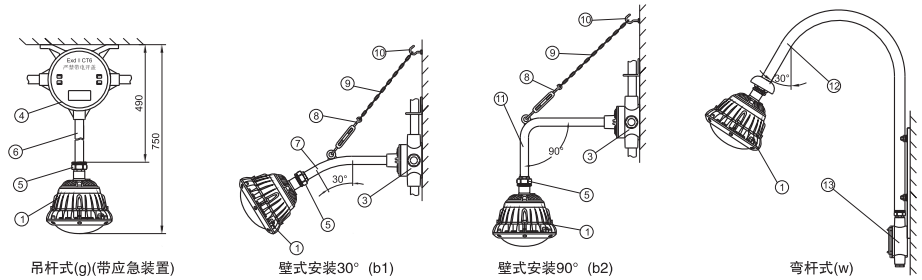
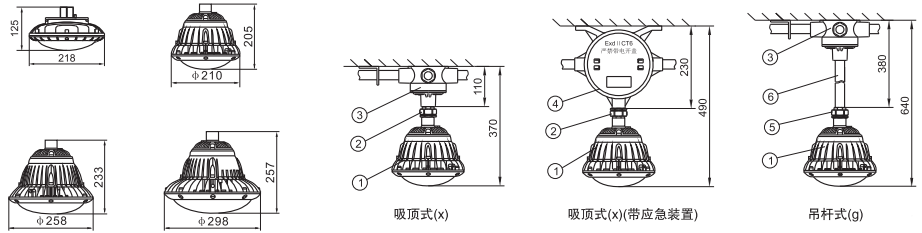
项目名称	金卤灯100W	RDB98-50W	金卤灯250W	RDB98-100W
额定功率(W)	100	50	250	100
工作电流(A)	1.15/220V	0.25/220V	2.10/220V	0.46/220V
功率因数(cos φ)	0.42	0.95	0.56	0.95
灯具有效光通量(lm)	5800	4500	11000	8200
使用寿命(h)	10000	50000	20000	50000
节能效果	近似的有效光通量，功率降低50%以上，节电55%以上，LED光源寿命延长5倍，减少维护费用，降低配电系统损耗。			

防爆灯具

RDB98

防爆免维护节能灯(IC、DIP)

外形及安装尺寸 Outlines & installation dimensions



1. 防爆灯具 Explosion-proof lamp
2. 防爆活接头 Explosion-proof union G3/4C
3. 接线盒 G3/4 " Junction box G3/4 "
4. 防爆应急装置 Explosion-proof emergency device
5. 防爆活接头 Explosion-proof union G3/4B
6. 直杆 Straight pole 300mm x G3/4 "
7. 弯杆 Curved pole 30° 300mm x G3/4 "
8. CC型索具螺旋扣 CC rigging turnbuckle M6
9. 链条 Chain (250mm)
10. 膨胀螺钉 Expansion screw M6
11. 弯杆 Curved pole 90° 500mm x G3/4 "
12. 弯杆式弯杆 Curved member
13. 弯杆G1 " 钢管) Curved member G1" steel pipe
14. 法兰式灯杆G1 1/2 " Flange type lamp pole G1 1/2"
15. 护栏式灯杆G1 1/2 " Barrier type lamp pole G1 1/2"
16. U型管夹U pipe clamp
17. 三通接线盒G3/4 " Three-way junction box G3/4"