

BAY51

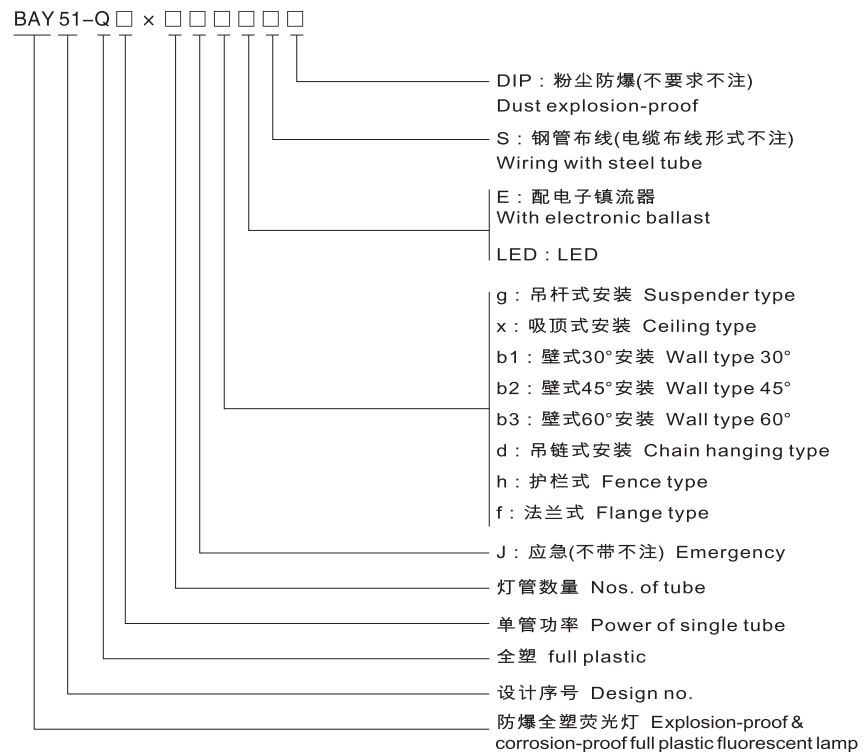
Explosion proof and corrosion proof
all plastic fluorescent lamp (IIC)



适用范围 Application

1. 1区、2区危险场所或20区、21区、22区危险场所；
 2. IIA、IIB、IIC类爆炸性气体环境或可燃性粉尘环境；
 3. 户内、户外(IP54、IP65*)；
 4. 温度组别：T5/T6；
 5. 应用于化工、炼油、石油开采、海洋石油平台、油轮、军工等危险场所照明。
1. Hazardous: division 1&2 or 20、21、22.
 2. Explosive gas atmosphere: class IIA, IIB, IIC, or inflammable dust environment.
 3. Indoor or outdoor(IP54,IP65*).
 4. Temperature class: T5/T6.
 5. Widely using in the fields of oil, chemical industry, spaceflight, war ind-ustru and so on.

型号含义 Model implication



BAY51

防爆防腐全塑荧光灯(ⅡC)

产品结构性能 Product structure performance

1. 外壳采用高强度的SMC模压成型，灯罩采用透光性能好、耐强冲击的聚碳酸酯注塑成型；
2. 外壳采用密封结构，具有了良好的防水、防尘防强腐蚀等性能；
3. 内装电子镇流器为我公司特制的防爆镇流器，具有短路和开路保护性能，针对灯管的老化效应和漏气现象预防电路，使灯具能正常工作，且高效节能 $\text{COS}\Phi \geq 0.98$ ，具有宽电压输入，在电压170~250V AC范围内，均能保持恒功率输出；
4. 电子镇流器配用灯管为普通T8灯管(或LED)，降低了用户的维修费用；
5. 配电感镇流器采用单脚快速瞬时启动灯光；
6. 可根据用户要求配置应急装置，当外界断电时，灯具自动切换到应急照明状态；
7. 灯具内装防爆开关，配置开盖断电连锁装置；
8. 钢管或电缆布线(钢管布线时请注明)。

1. The enclosure is moulded by the high strength SMC. Lamp housing is made of polycarbonater, which has fine lighttransmittance and impact resistance properties.
2. It has sealing structure, which has ensured the great functions of water proof and dust proof.
3. Inner electronic ballast is our compny's special explosion-proof ballast, and it has protection functions of short circuit andoen circuit. For the phenomenons of tubes' aging effect and air leakage, it should have standby circuit in order to keep itworking. The high energy saving is $\text{COS}\Phi \geq 0.98$, and it has the wide range of input voltage. It can keep contant power outputwithin 170V~250VAC.
4. In order to reduce the cost of customer's maintenance, we use the normal tube of T8 as the tube of electronic ballast.
5. The lamp, with electric induction ballast, is adopted the single pin to turn on instantly.
6. We can conform the customers' requirements to add an emergency device. If the power is cut off, it will be turned toemergency lighting automatically.
7. There is an explosion-proof switch in the interior, and it should be added interlock device for opening the cover, when thepower is cut off.
8. Wiring with steel tube or cable. (Please specify wiring with steel tube.)

BAY51

Explosion proof and corrosion proof
all plastic fluorescent lamp (IIC)

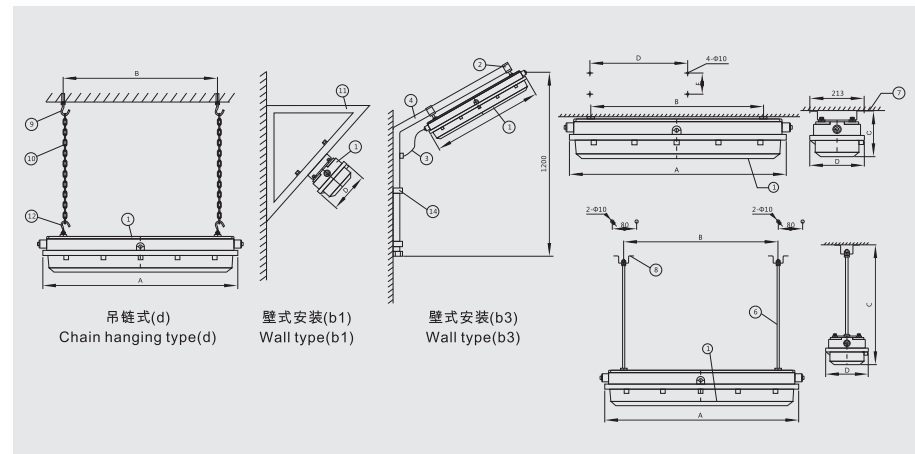
主要技术参数 Main technical parameters

功率(W) Power	电压 Voltage	充电时间 Charging time	应急启动时间 Time of emergency lighting	应急启动时间 Time of emergency lighting	电缆外径(mm) Cable outer dia.	电缆入口(G) Cable inlet
8 × (20)(J)	~220V DC6V*	24h*	0.3s*	60/90min*	Φ8~Φ14	3/4
16 × (36)(J)						

防爆标志 Ex-mark	防护等级 Degree of protection	防腐等级 Erosion-proof class
ExdembIICT5Gb	IP65	WF2

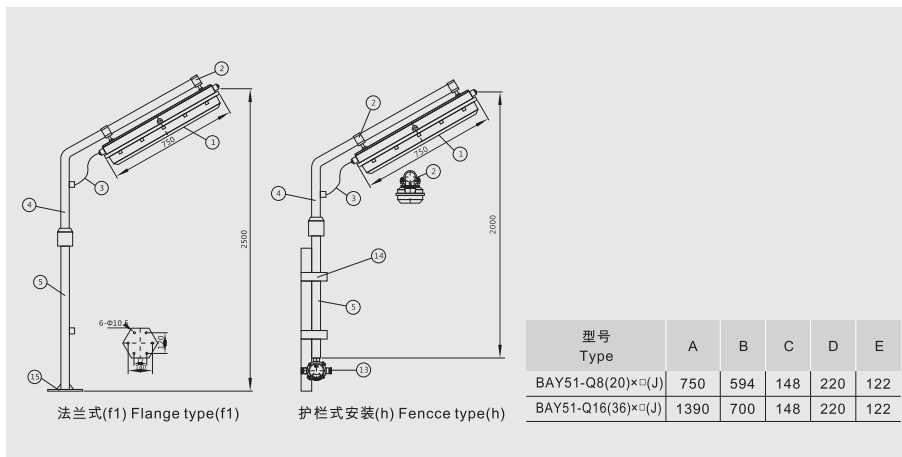
*带应急时参数 Parameter for taking emergency

产品外形及安装示意图 Product appearance and installation diagram



BAY51

防爆防腐全塑荧光灯(II C)



序号 No.	名称 Description	备注 Remark	序号 No.	名称 Description	备注 Remark
1	灯具 Lamp		9	吊钩 Hook	
2	安装管夹 Pipe clamp		10	链条 Chain	
3	挠性连接管 Flexible connection pipe	用户自备 Self-prepare	11	壁式安装架 Wall mounting rack	
4	平台弯杆 Platform bend-rod type		12	吊环螺钉 Eye bolt	
5	平台管子 Platform tube		13	平台灯接线盒 Platform light junction box	
6	连接杆 Bindiny pole		14	U型管夹 U-tube clip	用户自备 Self-prepare
7	吸顶式安装件 Ceiling mounting		15	底板 Bottom board	
8	吸顶脚 Ceiling rack				

订货须知 Order note

- 按照型号含义中的规则逐条进行选择，并在型号含义后增加防爆标志。
- 如用户有特殊需求，需在订购时详细指明。
 - Accord with the model implication's rules to select regularly, and Ex-mark should be added behind model implication;
 - If there are some special requirements, it should be pointed as ordering.