

# 防爆灯具

## BAY

### 防爆荧光灯



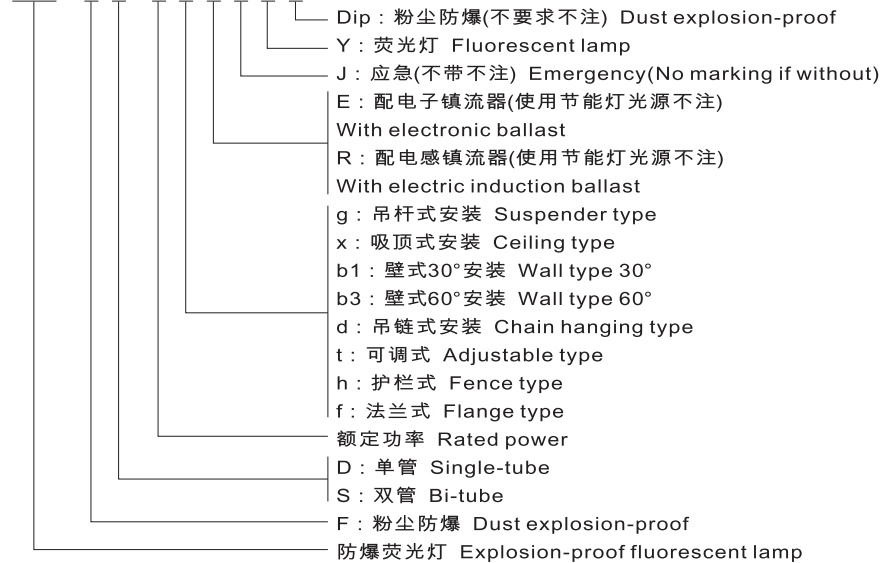
### 适用范围 Application

1. 1区、2区危险场所或20区、21区、22区危险场所；
2. II A、II B、II C类爆炸性气体环境或可燃性粉尘环境；
3. 户内、户外(IP54、IP65\*)；
4. 温度组别：T1~T4/T5/T6；
5. 应用于石油、化工、航天、军工等场所。

1. Hazardous: division 1&2 or 20, 21, 22.
2. Explosive gas atmosphere: class II A, II B, II C, or inflammable dust environment.
3. Indoor or outdoor(IP54,IP65\*).
4. Temperature class: T1~T4/T5/T6.
5. Widely using in the fields of oil, chemical industry, spaceflight, war ind-ustru and so on.

### 型号含义 Model implication

BAY - □ □ - □ □ □ □ □ □



## BAY

Explosion-proof fluorescent lamp

## 产品结构性能 Product structure performance

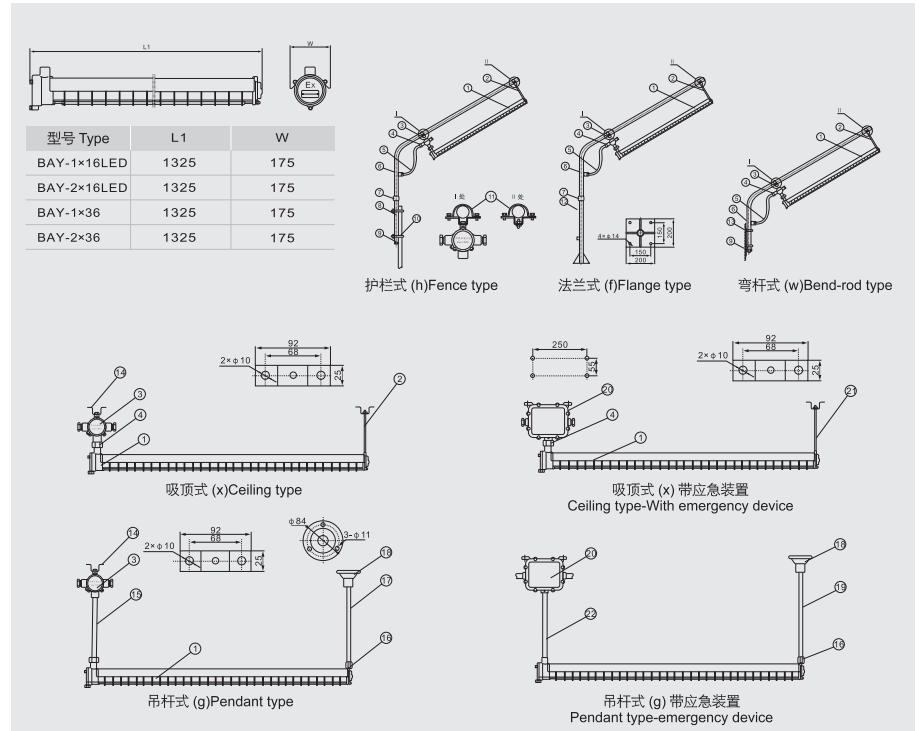
1. 壳体采用高强度合金铝一次性压铸成型，表面经高速抛丸清理后高压静电喷塑。外壳结构紧凑合理、材质密度高强度好、防爆性能优良，表面塑粉附着力强具有良好的防腐能力，表面光洁，美观大方；
2. 采用隔爆结构，快速更换灯管，灯具可根据要求配成可调节方式，在更换灯管时，可以将灯具一端拉出；
3. 可根据用户要求配装应急装置，当外界断电时，灯具自动切换到应急照明状态；
4. 钢管，防爆挠性管、防爆电缆，布线均可。

1. Shell made of high strength aluminum alloy casting off the surface after blast cleaning by high voltage electrostatic spray. Shell compact structure, high density material strength, Explosion-proof performance, the surface of plastic powder adhesion ability with good anti-corrosion, the surface smooth, elegant appearance.
2. Using the patent structure, rapid replacement of the lamp, lighting can be adjusted on request dubbed way in replacing the lamp, the lamp can be put down at one end.
3. Can be customized emergency device, when the external power, the lights automatically switch to the state of emergency lighting.
4. Steel pipe, explosion-proof flexible tube, cable, wiring.

## 主要技术参数 Main technical parameters

额定功率(W) Rated power	额定电压(V) Rated voltage	防爆标志 Ex-mark	电缆外径(mm) Cable outer dia.	进线口螺纹(G") Inlet thread	防护等级 Degree of protection	防腐等级 Erosion-proof class
荧光灯光源 Fluorescent	220	ExdIIBT5Gb	φ8-φ10	1/2"	IP54 IP65*	WF1
1×20						
1×30						
1×40						
2×20						
2×30						
2×40						

### 产品外形及安装示意图 Product appearance and installation diagram



序号 No.	名称 Name	备注 Remark	序号 No.	名称 Name	备注 Remark
1	灯具 Lamp		12	立柱 (G1 1/2") Pole	
2	双头螺杆 M8 × 155(M6 × 170)mm Double serew stem	单管 M6 Single pipe 双管 M8 Double pipe	13	固定板 Fasten plate	用户自备 Provided by users
3	接线盒 Junction box		14	安装架 Mounting	
4	管接头 (G1/2" 两端外螺纹) Pipe connector		15	钢管 Steel pipe(G1/2" 240 × 440mm)	
5	柔性连接管 Flexible connection pipe	用户自备 Provided by users	16	连接螺 Connection screw	
6	弯杆 Bent-rod	G1 1/4"	17	钢管 Steel pipe(G1/2" 300 × 500mm)	
7	接头 Reducer		18	吸盘 Drawing plate	
8	立柱 Pole	G1 1/2"	19	钢管 Steel pipe(G1/2" × 500)	
9	活接头 Active connector		20	应急装置 Emergency illumination	
10	U型管夹 "U" Clamp	用户自备 Provided by users	21	双头螺杆 M8 × 260(M6 × 260)mm Serew stem	单管 M6 Single pipe
11	管夹 Pipe clamp	G1 1/4"	22	钢管 Steel pipe(G1/2" × 240mm)	